

3.0 Megapixel Day/Night JPEG2000 HD Dome Camera

Description

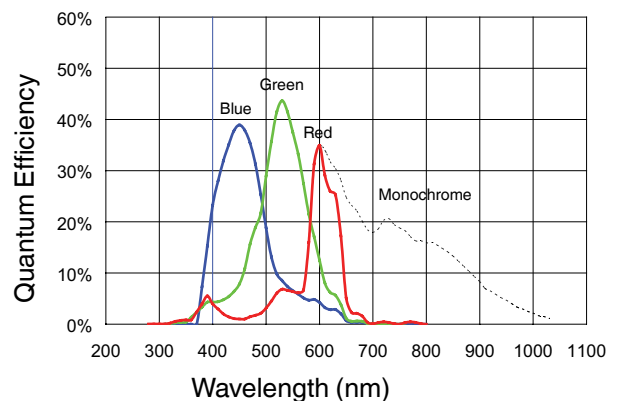
The Avigilon 3.0 megapixel day/night JPEG2000 HD dome camera is a progressive scan CMOS camera designed for a wide range of surveillance applications. It transmits images over 100BASE-TX using advanced JPEG2000 progressive compression technology to achieve the lowest network bandwidth and most efficient image storage in the industry while maintaining unsurpassed image quality.

The camera's advanced image acquisition system automatically adjusts the exposure time, the iris and the removable IR cut filter to ensure all available evidence is captured throughout the full range of day and night time scenes. The optional short range integrated IR illuminator delivers high resolution surveillance in low-light conditions. The camera supports C or CS mount lenses and DC-drive auto iris controls. The camera has mounting options for recessed in-ceiling mounting, mounting to an electrical box, and mounting in a sealed IP66-rated outdoor configuration.

The camera seamlessly integrates with Avigilon Control Center NVMS and High Definition NVRs using standard network equipment creating a network based surveillance solution with unmatched performance, ease of use, and ease of installation. Camera power is provided by either Power over Ethernet, 12 VDC, or 24 VAC.

Features

- 3.0 megapixel progressive scan CMOS sensor
- 12 images per second at full resolution and 39 images per second at 1280 x 720
- 61 dB true dynamic range
- 0.2 lux minimum illumination in color mode and 0.02 lux minimum illumination in monochrome mode
- Lossless JPEG2000 compression
- Automatic exposure control and DC-drive auto iris control
- Automatic removable IR cut filter for IR sensitivity at night with an option for integrated IR illumination
- Compatible with C and CS mount lenses
- Power over Ethernet, 24 VAC or 12 VDC power input
- External I/O interface and an audio input
- Vandal-resistant construction
- IP66 compliant with outdoor mount



Specifications

Camera

| | |
|----------------------------|---|
| Image Sensor | 1/2" progressive scan CMOS |
| Active Pixels | 2048 (H) x 1536 (V) |
| Imaging Area | 6.6 mm (H) x 4.9 mm (V) 0.258" (H) x 0.194" (V) |
| Minimum Illumination | 0.2 lux (F1.4) in color mode 0.02 lux (F1.4) in monochrome mode |
| Dynamic Range | 61 dB |
| Lens Mount | CS |
| Image Compression Method | JPEG2000 |
| Image Rate | 12 (at full resolution) 39 (at 1280 x 720) |
| Resolution Windowing | Down to 640 x 480 Window |
| Motion Detection | Selectable sensitivity and threshold |
| Electronic Shutter Control | Automatic, Manual (2 to 1/30000 sec) |
| Iris Control | Automatic, Manual |
| Day/Night Control | Automatic, Manual |
| IR Illuminator (Option) | 850 nm wavelength, 15 m (50 ft) range maximum |
| Flicker Control | 50 Hz, 60 Hz |
| White Balance | Automatic, Manual |
| Backlight Compensation | Automatic |
| Privacy Zones | Up to 4 zones |
| Audio Compression Method | G.711 PCM 8 khz |
| Audio Input | External 3.5 mm microphone input |
| External I/O Terminals | Alarm In, Alarm Out, RS-485 |

Network

| | |
|--------------|--------------------------------|
| Network | 100BASE-TX |
| Cabling Type | CAT5 |
| Connector | RJ-45 |
| Security | SSL |
| Protocol | UDP, TCP, SOAP, DHCP, Zeroconf |

Mechanical

| | |
|------------------|-----------------------------------|
| Dimensions (ØxH) | 150 mm x 120 mm 5.9" x 4.7" |
| Weight | 0.91 kg (2.0 lbs) without lens |
| Dome Bubble | Polycarbonate, clear |
| Body | Aluminum |
| Housing | Surface mount, vandal resistant |
| Finish | Powder coat, cool gray 2 |
| Adjustment Range | 360° pan, 180° tilt, 180° azimuth |

Electrical

| | |
|-------------------|---|
| Power Source | VDC: 12-24 V VAC: 24 V PoE: IEEE802.3af Class 3 compliant |
| Power Consumption | 6 W + 5.5 W with heater option + 3.5 W with IR illuminator option |
| Power Connector | 2-pin terminal block |

Environmental

| | |
|-----------------------|--|
| Operating Temperature | -10 °C to +50 °C (14 °F to 122 °F) -30 °C to +50 °C (-22 °F to 122 °F) (with heater option) |
| Storage Temperature | -10 °C to +70 °C (14 °F to 158 °F) |
| Humidity | 20 - 80% Relative humidity (non-condensing) |

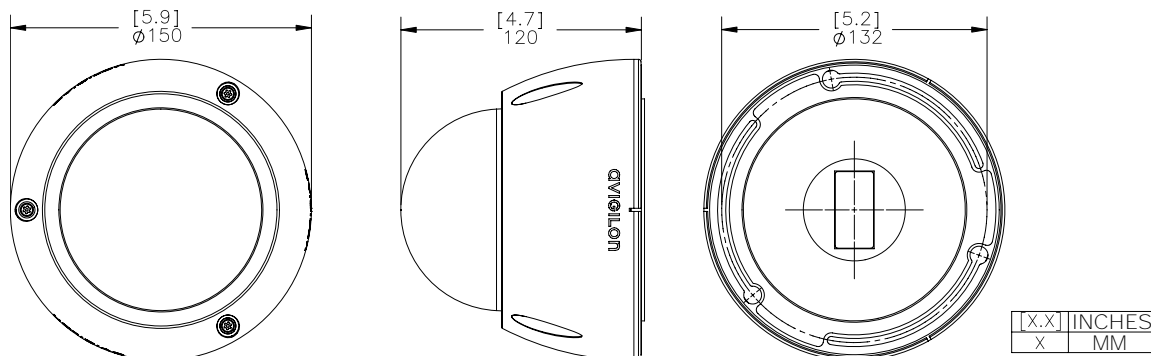
Certifications

| | | |
|---------------------------|--|---|
| | UL 60950 | CE |
| | CSA 60950 | ROHS |
| | EN 60950-1 | WEEE |
| Environmental | IK10 Impact Rating | Meets IP66 Weather Rating |
| Electromagnetic Emissions | FCC Part 15 Subpart B Class A IC ICES-003 Class A EN 55022 Class A | EN 61000-3-2 EN 61000-3-3 |
| Electromagnetic Immunity | EN 61000-6-3 EN 50130-4 EN 61000-4-2 EN 61000-4-3 EN 61000-4-4 | EN 61000-4-5 EN 61000-4-6 EN 61000-4-11 |

Ordering Information

| | |
|-----------------------|--|
| 3.0MP-HD-DOME-DN | 3.0 Megapixel Day/Night JPEG2000 HD Dome Camera |
| 3.0MP-HD-DOME-DN-H | 3.0 Megapixel Day/Night JPEG2000 HD Dome Camera with Heater |
| 3.0MP-HD-DOME-DN-IR | 3.0 Megapixel Day/Night JPEG2000 HD Dome Camera with IR Illuminator |
| 3.0MP-HD-DOME-DN-H-IR | 3.0 Megapixel Day/Night JPEG2000 HD Dome Camera with Heater and IR Illuminator |
| DOME-INDE-PLT | Indoor Electrical Box Mounting Plate |
| DOME-IND-CEL | Indoor In-Ceiling Mount |
| DOME-OD-BASE | Indoor/Outdoor Mounting Base |
| DOME-OD-PEND | Indoor/Outdoor Pendant Mount |
| DOME-SMOKE | Replacement smoked transparent cover. |

Outline Dimensions



Specifications subject to change without notice. V1.2

©2011 Avigilon Corporation. All rights reserved.

Trademarks and registered trademarks are the property of their respective owners.